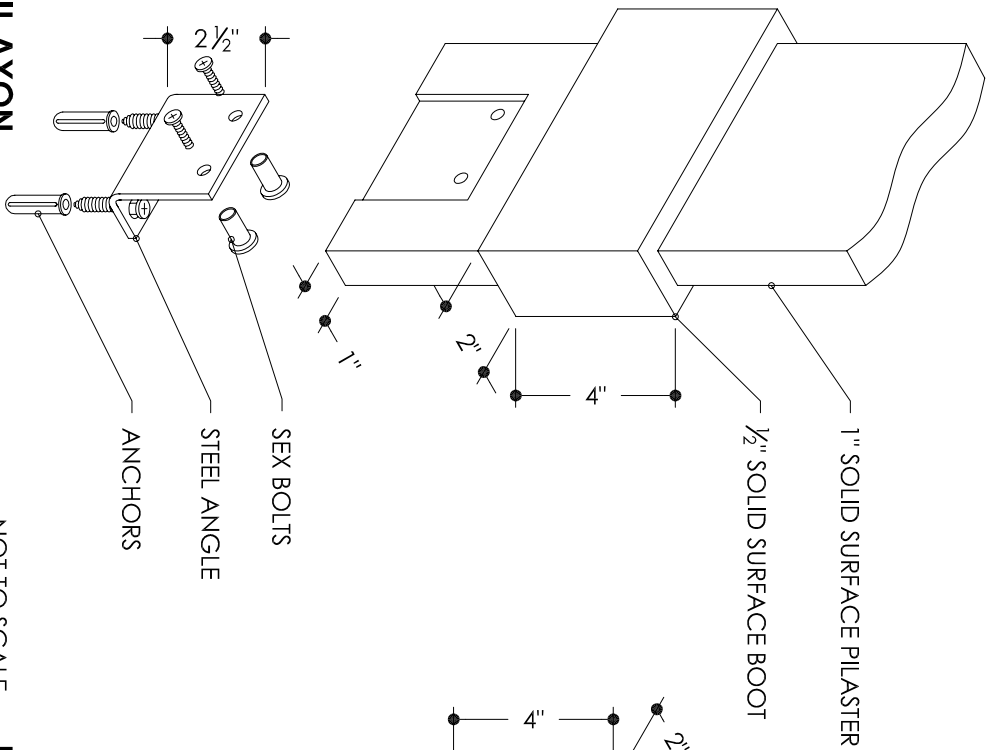
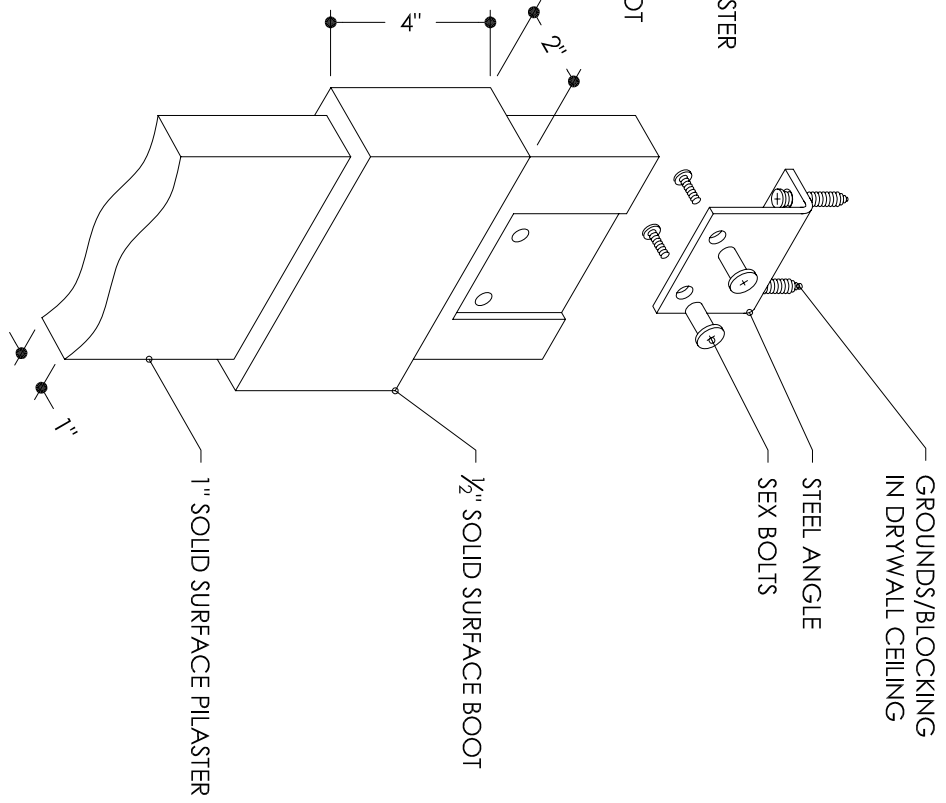


**DETAIL AXON**  
PILASTER TO FLOOR



NOT TO SCALE

**DETAIL AXON**  
PILASTER TO CEILING



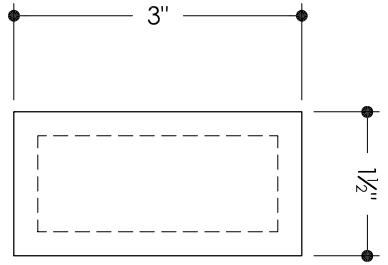
NOT TO SCALE

**CHAMPION PARTITIONS INC**

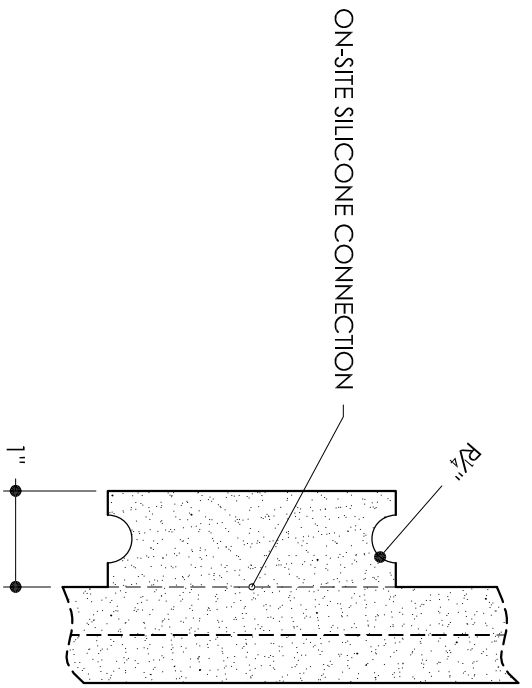
15-10 127th Street College Point, NY 11356  
1-800-984-7050  
Fax (718) 661-1587  
www.championpartitions.com

**FLOOR TO CEILING HARDWARE SPECIFICATIONS**  
PILASTER DETAILS AT FLOOR/CEILING

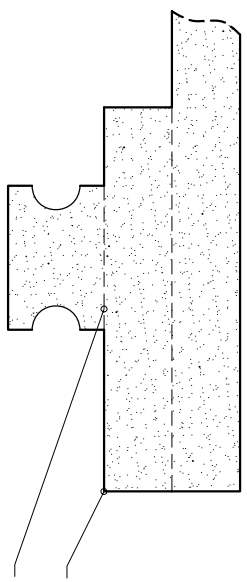
**S**  
FC1



**SOLID SURFACE HANDLE - ELEVATION** NOT TO SCALE



**SOLID SURFACE HANDLE - SECTION** NOT TO SCALE



SOLID SURFACE DOOR

ON-SITE SILICONE CONNECTION

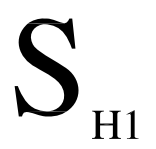
**SOLID SURFACE HANDLE - PLAN** NOT TO SCALE

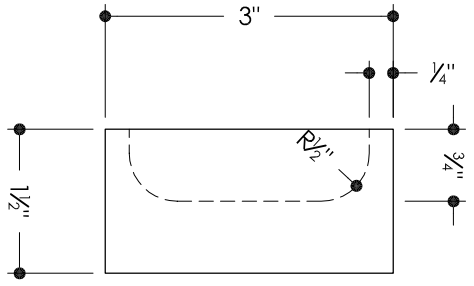
# CHAMPION PARTITIONS INC

15-10 127th Street College Point, NY 11356  
 1-800-984-7050  
 Fax (718) 661-1587  
 www.championpartitions.com

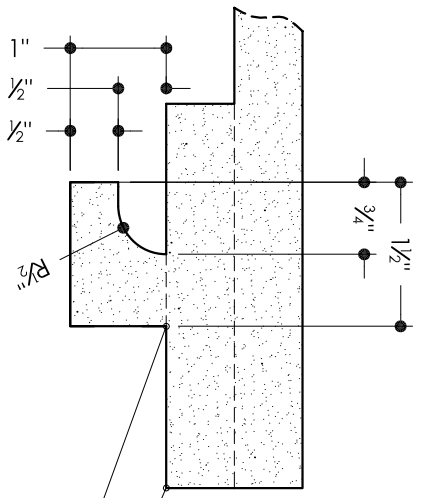
## OPTIONAL HARDWARE SPECIFICATIONS SOLID SURFACE DOOR HANDLE

MANF : CHAMPION PARTITIONS  
 PART# : H1  
 MATL : SOLID SURFACE





**SOLID SURFACE HANDLE - ELEVATION** NOT TO SCALE



SOLID SURFACE DOOR  
ON-SITE SILICONE CONNECTION

**SOLID SURFACE HANDLE - PLAN** NOT TO SCALE

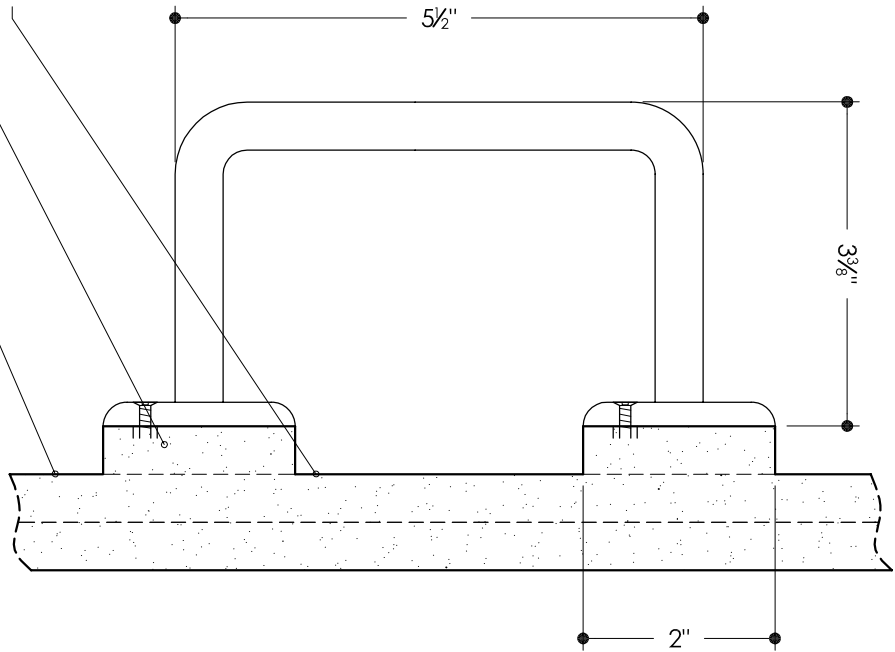
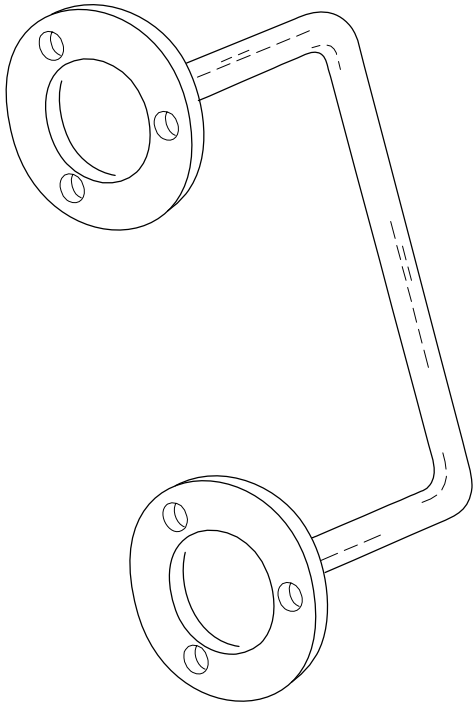
**CHAMPION PARTITIONS INC**

15-10 127th Street College Point, NY 11356  
1-800-984-7050  
Fax (718) 661-1587  
www.championpartitions.com

**OPTIONAL HARDWARE SPECIFICATIONS**  
SOLID SURFACE DOOR HANDLE

MANF : CHAMPION PARTITIONS  
PART# : H2  
MATL : SOLID SURFACE

**S**  
H2



SOLID SURFACE DOOR  
SOLID SURFACE MOUNTING PLATE  
(2 PROVIDED WITH EACH HANDLE)  
ON-SITE SILICONE CONNECTION

**HANDLE - AXONOMETRIC**

NOT TO SCALE

**HANDLE - ATTACHMENT DETAIL**

NOT TO SCALE

ADA COMPLIANT

ALL FASTENERS TO BE STAINLESS STEEL

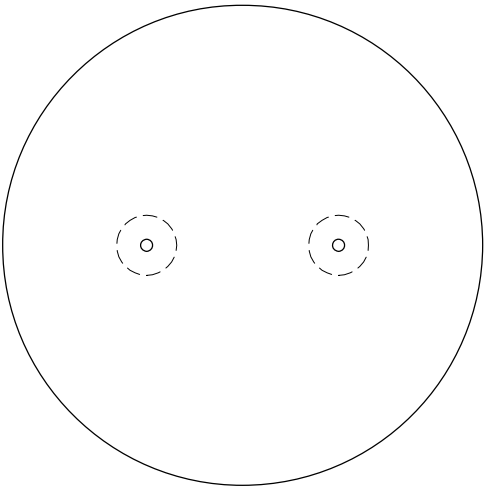
**CHAMPION PARTITIONS INC**

15-10 127th Street College Point, NY 11356  
1-800-984-7050  
Fax (718) 661-1587  
www.championpartitions.com

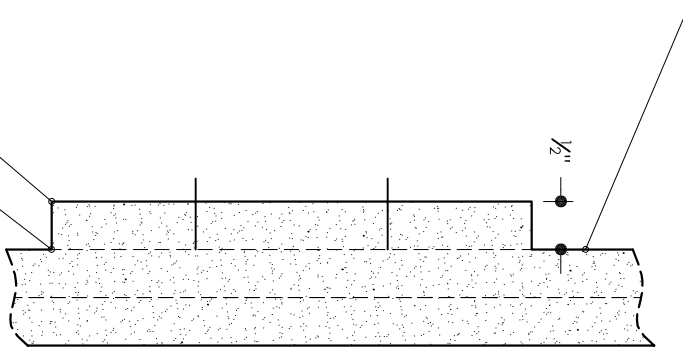
**OPTIONAL HARDWARE SPECIFICATIONS**  
ADA COMPLIANT HANDLE

MANF : JACKNOB  
PART# : 6253  
MATL : CAST STAINLESS STEEL

**S**  
H3



SOLID SURFACE PANEL



SOLID SURFACE MOUNTING PLATE  
(2 PROVIDED WITH EACH HANDLE)  
ON-SITE SILICONE CONNECTION

**ADAPTER PLATE - ELEVATION**

NOT TO SCALE

**ADAPTER PLATE - DETAIL**

NOT TO SCALE

ALL FASTENERS TO BE STAINLESS STEEL

**CHAMPION PARTITIONS INC**

15-10 127th Street College Point, NY 11356  
1-800-984-7050  
Fax (718) 661-1587  
www.championpartitions.com

**OPTIONAL HARDWARE SPECIFICATIONS**  
ADA COMPLIANT HANDLE

MANF : CHAMPION PARTIONS  
PART# : AP1  
MATL : SOLID SURFACE

**S**  
A1